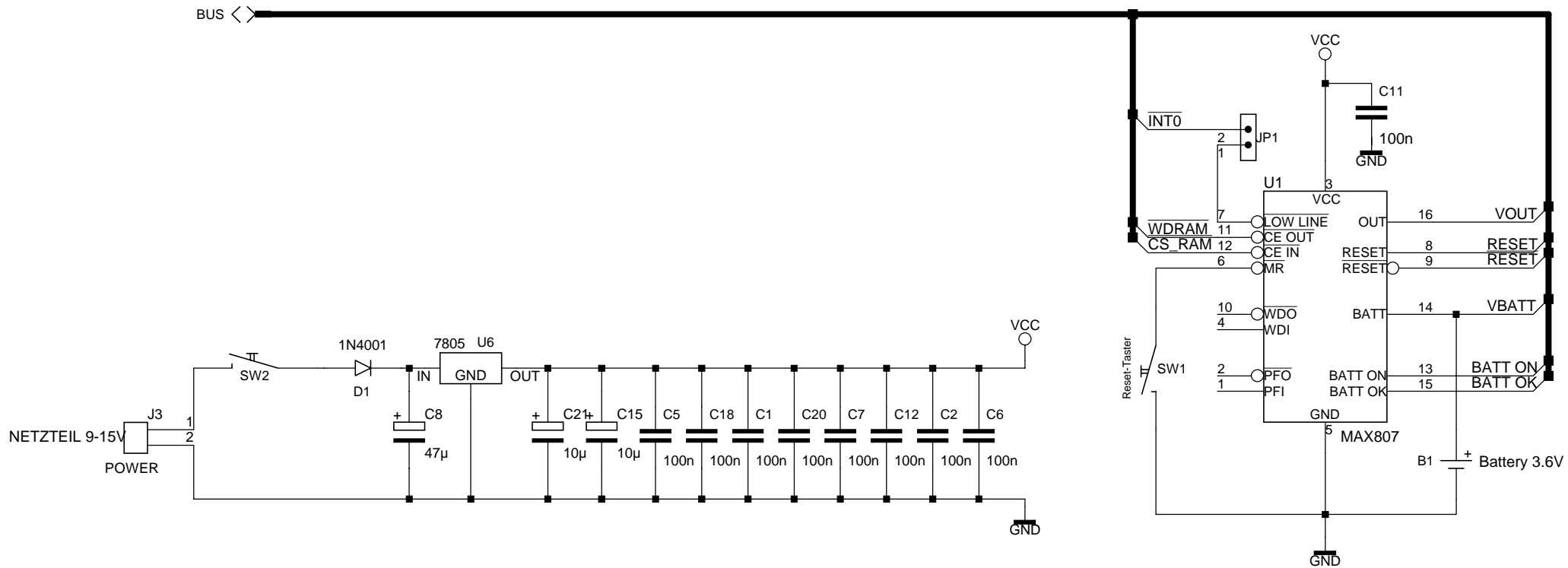
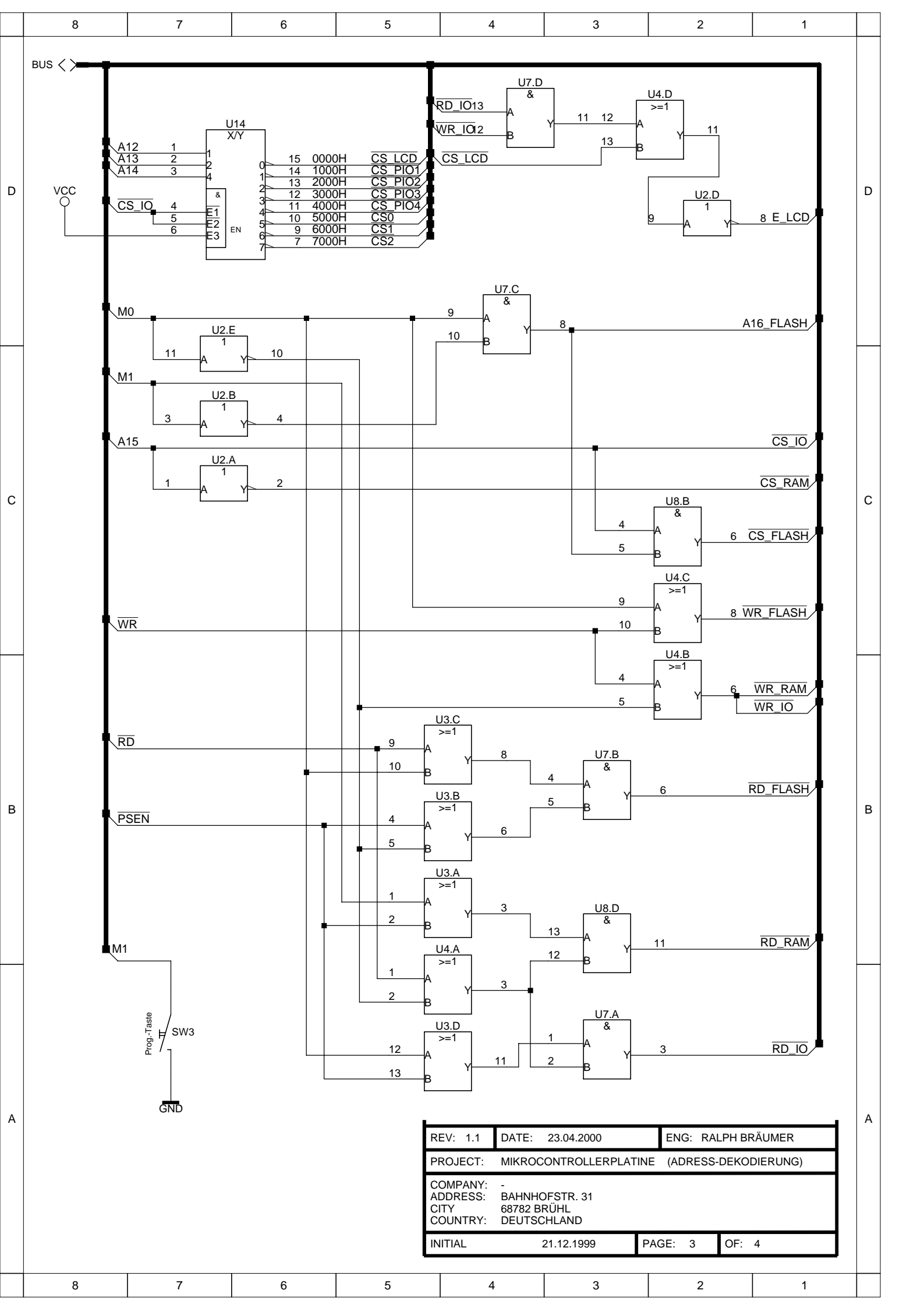


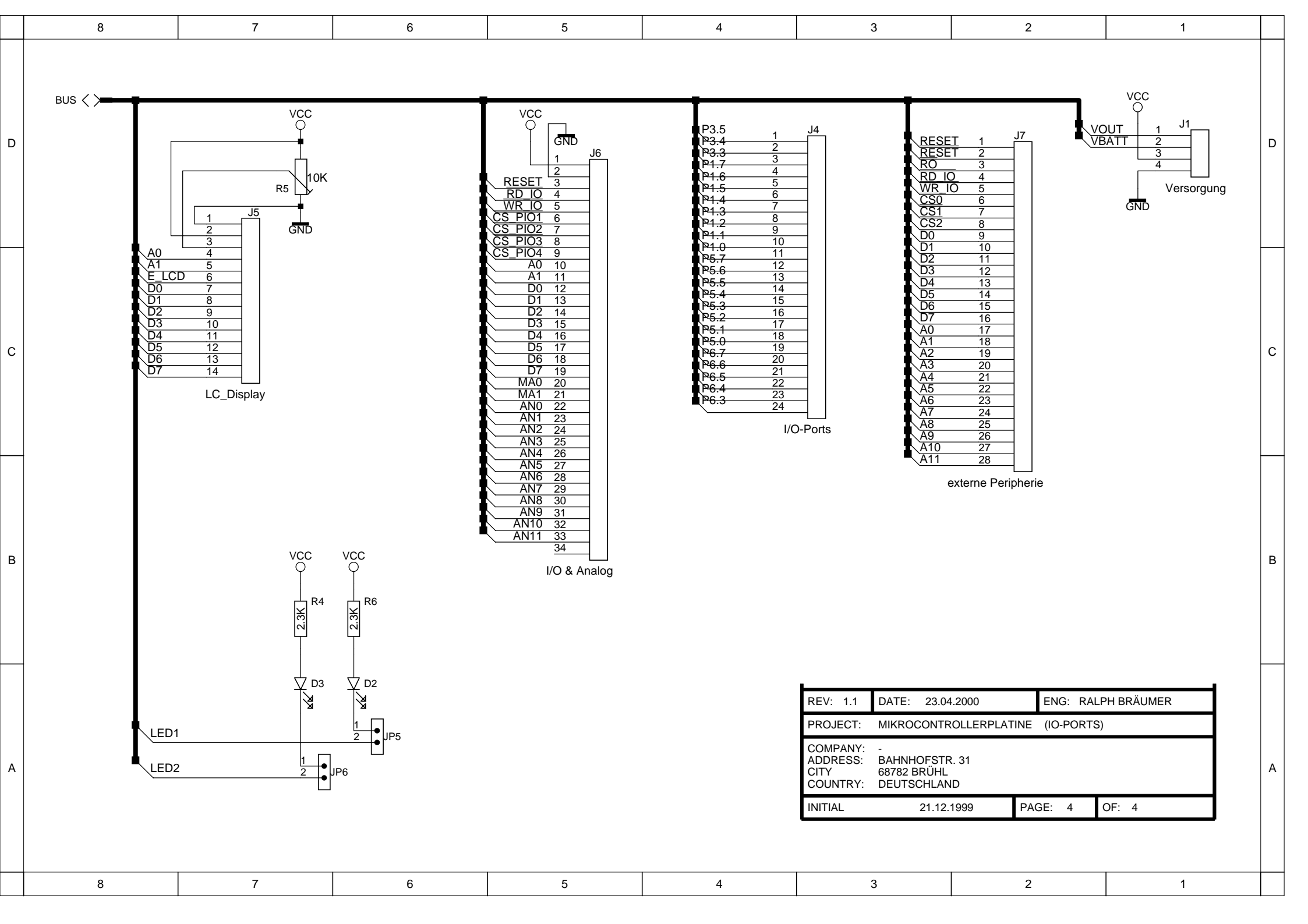
REV: 1.1	DATE: 23.04.2000	ENG: RALPH BRÄUMER
PROJECT: MIKROCONTROLLERPLATINE (DIGITALTEIL)		
COMPANY: -		
ADDRESS: BAHNHOFSTR. 31		
CITY: 68782 BRÜHL		
COUNTRY: DEUTSCHLAND		
INITIAL	21.12.1999	PAGE: 1 OF: 4



REV: 1.1	DATE: 23.04.2000	ENG: RALPH BRÄUMER
PROJECT: MIKROCONTROLLERPLATINE (VERSORGUNG)		
COMPANY: -		
ADDRESS: BAHNHOFSTR. 31		
CITY: 68782 BRÜHL		
COUNTRY: DEUTSCHLAND		
INITIAL	21.12.1999	PAGE: 2 OF: 4

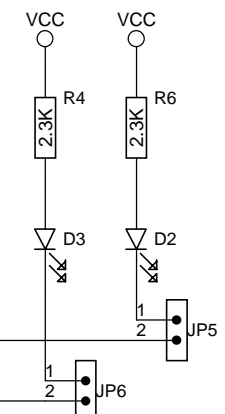
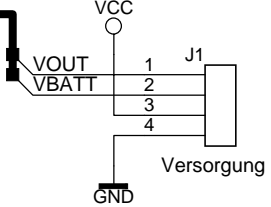
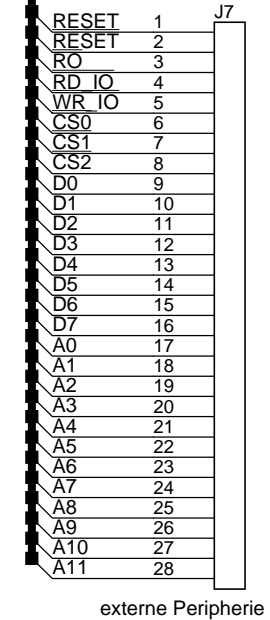
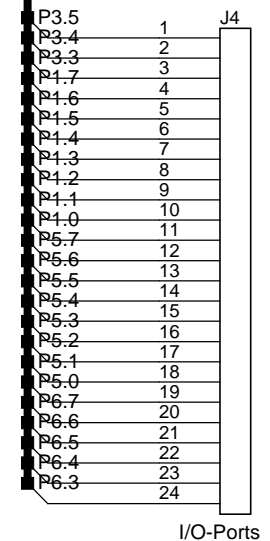
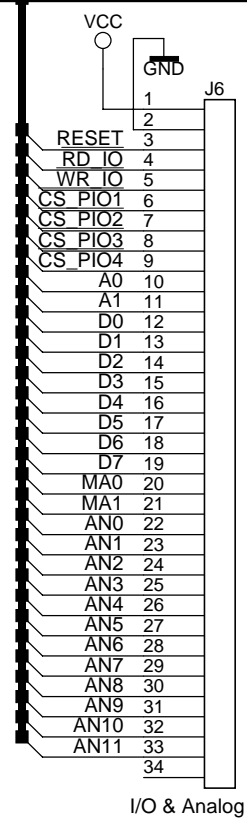
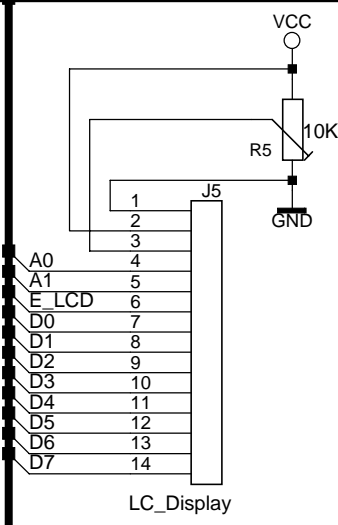


REV: 1.1	DATE: 23.04.2000	ENG: RALPH BRÄUMER
PROJECT: MIKROCONTROLLERPLATINE (ADRESS-DEKODIERUNG)		
COMPANY: -		
ADDRESS: BAHNHOFSTR. 31		
CITY: 68782 BRÜHL		
COUNTRY: DEUTSCHLAND		
INITIAL	21.12.1999	PAGE: 3 OF: 4



8 7 6 5 4 3 2 1

BUS <>



REV: 1.1	DATE: 23.04.2000	ENG: RALPH BRÄUMER
PROJECT: MIKROCONTROLLERPLATINE (I/O-PORTS)		
COMPANY: -		
ADDRESS: BAHNHOFSTR. 31		
CITY: 68782 BRÜHL		
COUNTRY: DEUTSCHLAND		
INITIAL	21.12.1999	PAGE: 4 OF: 4

8 7 6 5 4 3 2 1